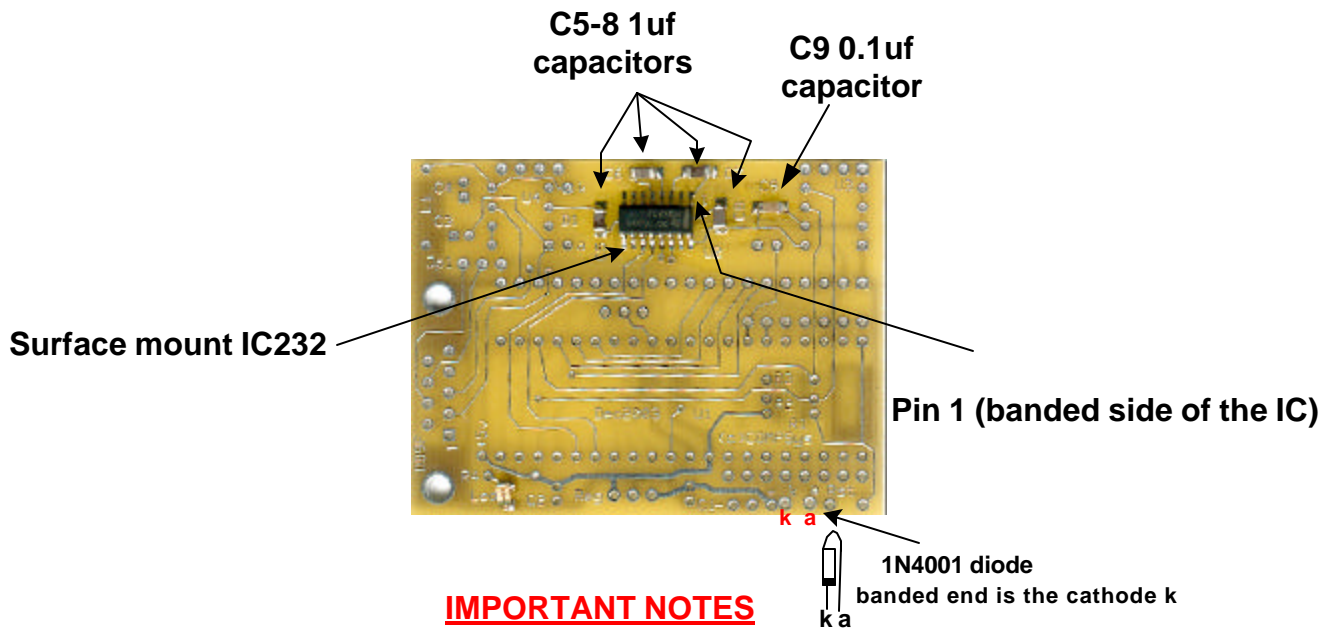
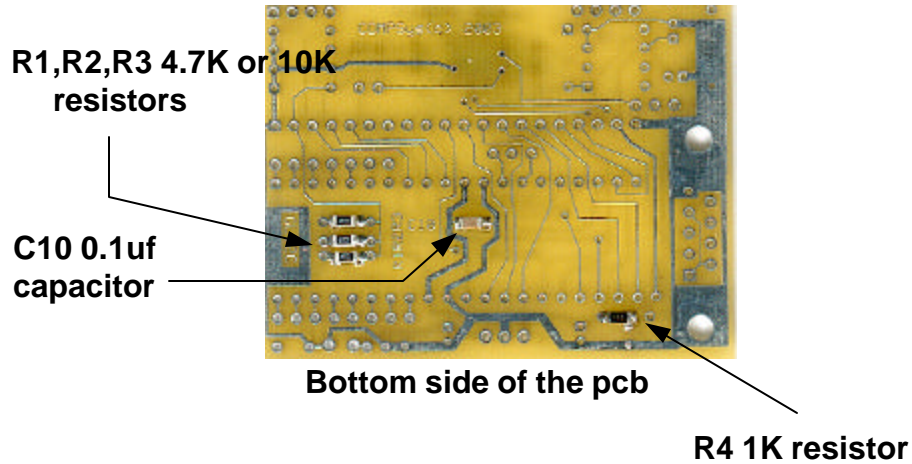


GLI2 Rev C addendum

The GLI2 Rev C board has several changes:

- 1) Replaced IC233 20 pin dip with a surface mount IC232 along with surface mount caps
- 2) Axial or SMD resistor chips can be used for R1-R3 (4.7K) and R4 (1K).
- 3) Added two 0.1uf decoupling SMD capacitor chips C9,C10.
- 4) Added option to install a power supply protection diode



C5-10 are non-polar chips and have no markings.
C5-8 are 1uf chips and are darker in color
C9,10 are 0.1uf chips and have a light tan color.

Mount the SMD parts first. To facilitate assembly, apply a tiny amount of solderto the pads of the SMD cpas and resistors prior to soldering the parts.

PLEASE be sure to orient the IC232 as shown above.