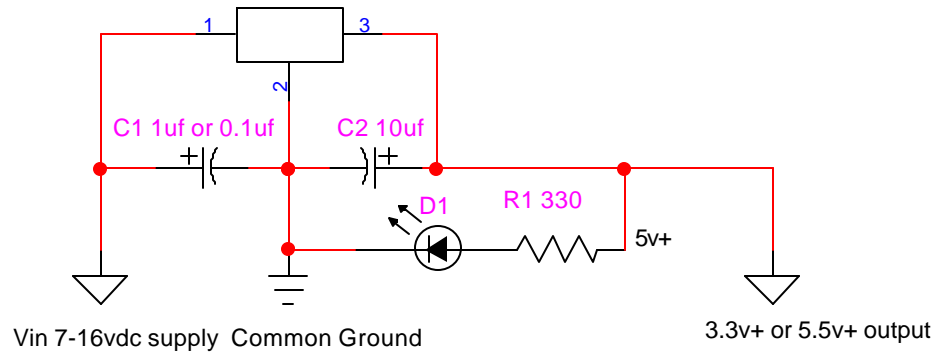


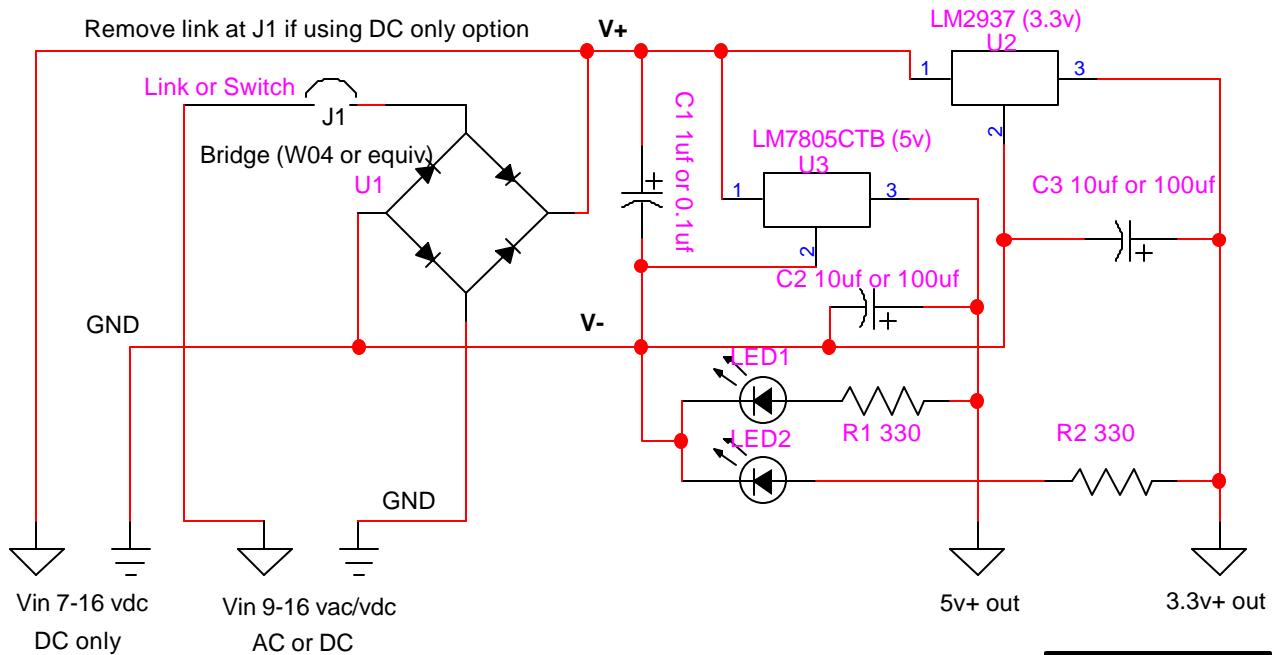
3.3 and 5v DC POWER SUPPLY CIRCUITS

5v or 3.3v Power Supply

LM7805CTB (5v) or LM2937 (3.3v)



Dual Power Supply with AC/DC supply



Input supply options

| |
|-----------------|
| PSU Circuits |
| (c)COMPSys 2003 |
| Ranjit Diol |

Subject to change without notice. Due to changes part identification numbers may not match those on the printed circuit board