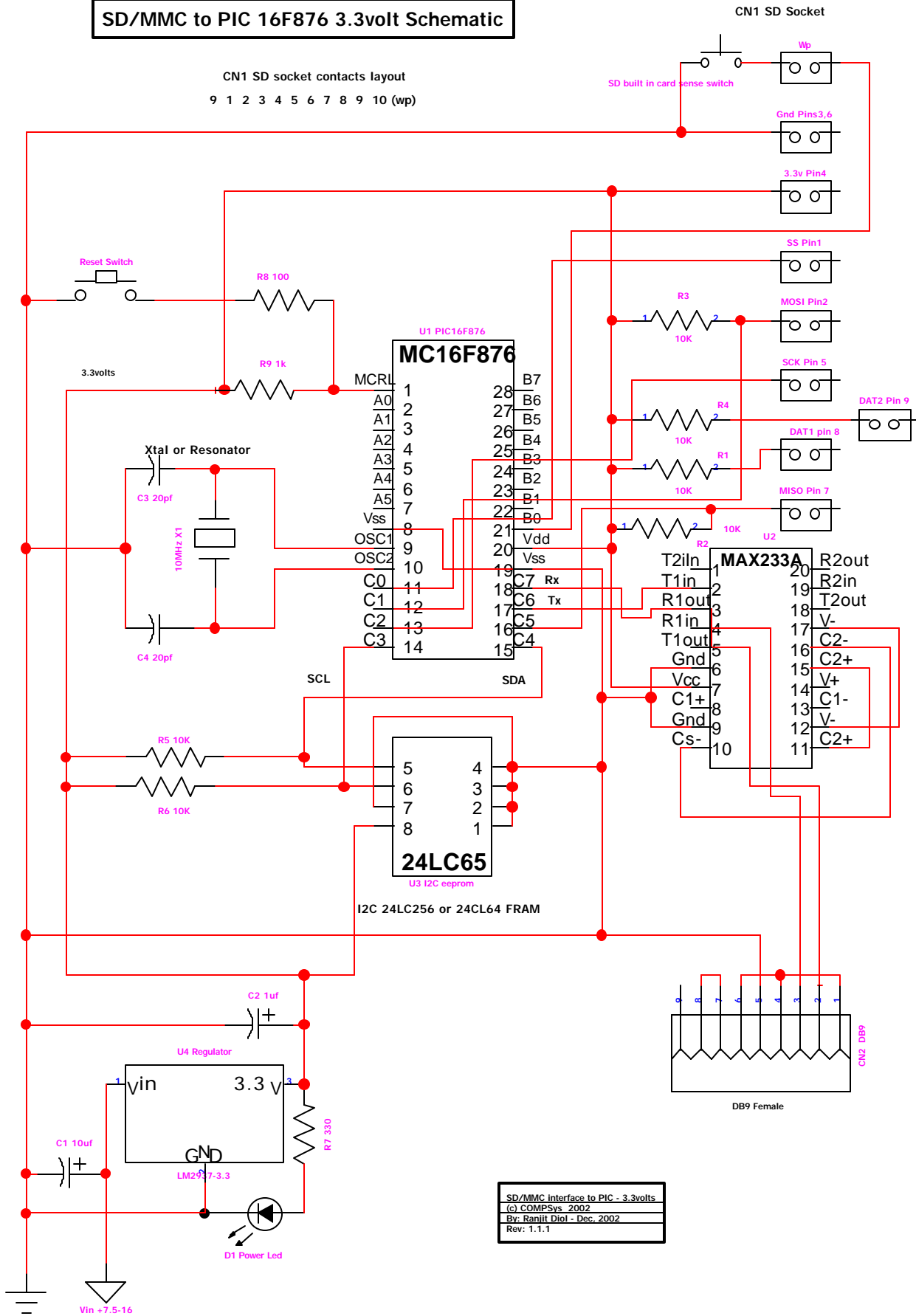


SD/MMC to PIC 16F876 3.3volt Schematic

CN1 SD socket contacts layout
9 1 2 3 4 5 6 7 8 9 10 (wp)



SD/MMC interface to PIC - 3.3volts
 (c) COMPSys 2002
 By: Ranjit Dhol - Dec, 2002
 Rev: 1.1.1