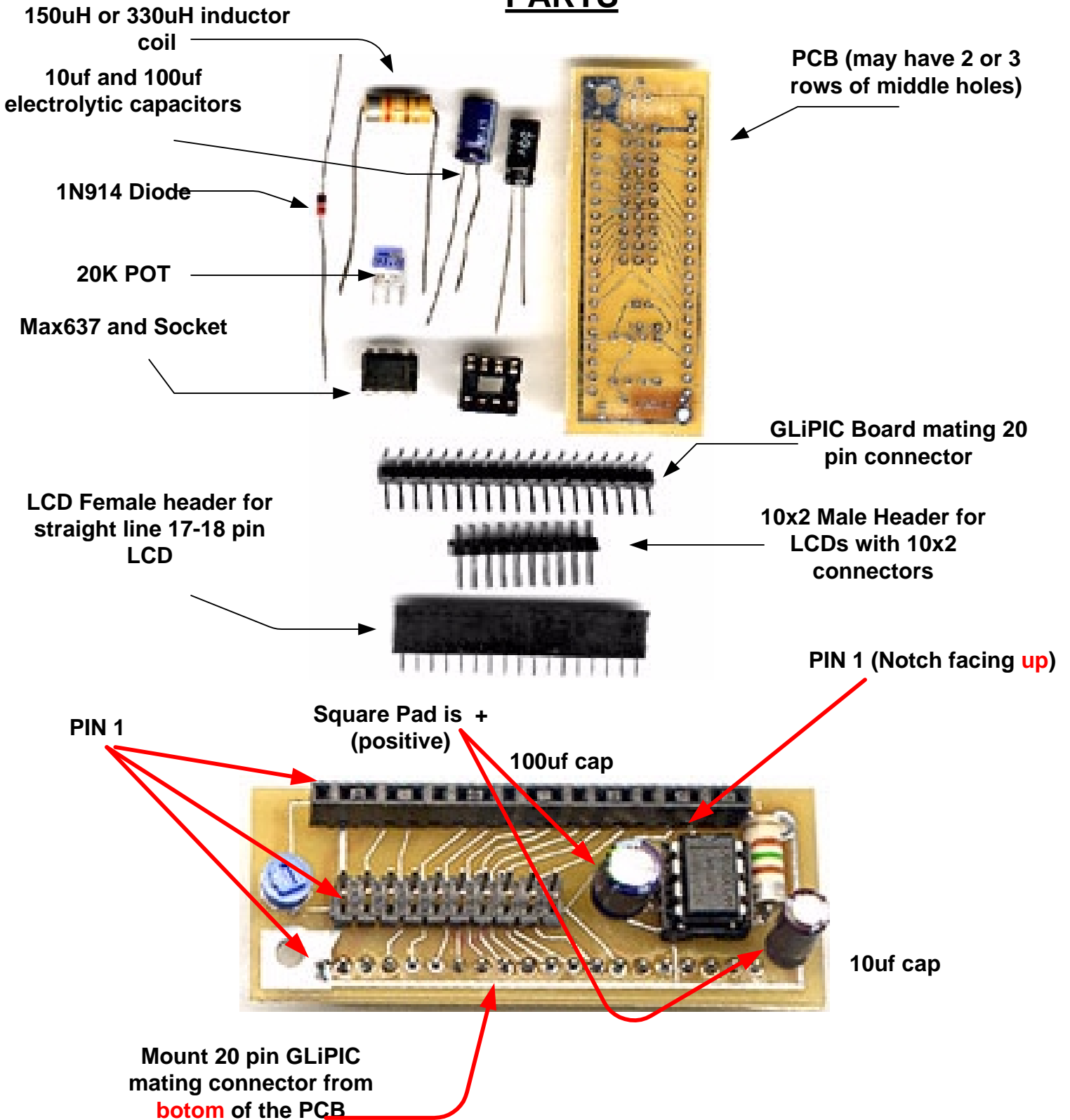
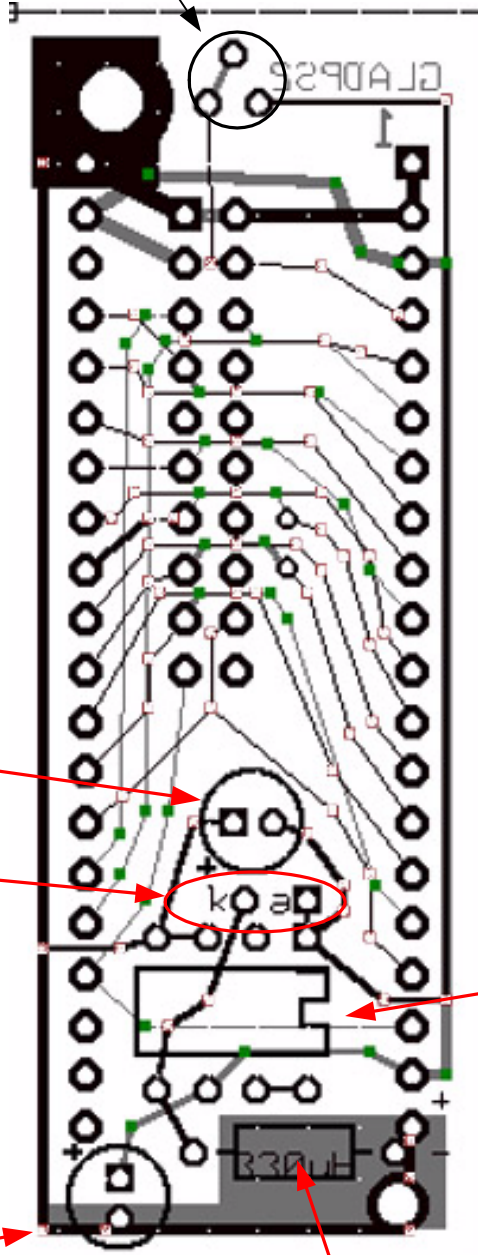


LCD Adapter Kit GLADPS2

PARTS

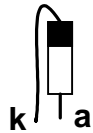


20K POT



100uf cap observe
polarity - square pad is +

Diode - Observer (a)
anode and (k) cathode
placement. Cathode is the
banded end of the diode.
Mount the diode standing
up.



10uf cap observe
polarity

IC Observe notch
position

150uH or 330uH inductor
coil