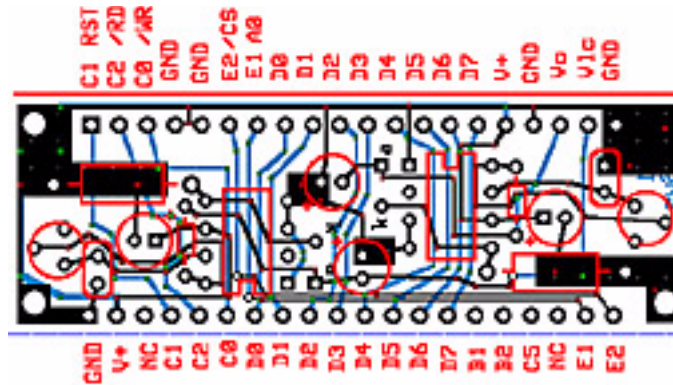


To G321D LCD PINS



To GLIPIC Board

