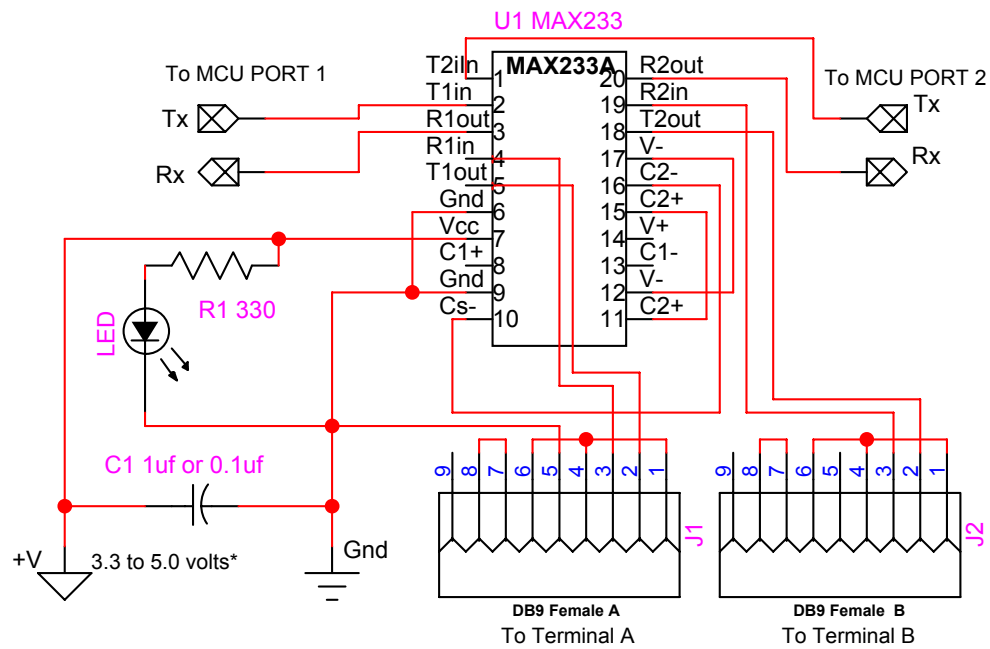


Dual RS232 ports using a Max233



*At 3.3v the RS232 signal swing is -6v to +6v which is sufficient for most RS232 to PC applications
at 5v the swing is -10v to +10v

AD233DUAL Ver 1
Ranjit Diol 10/19/02
COMPSys 2001