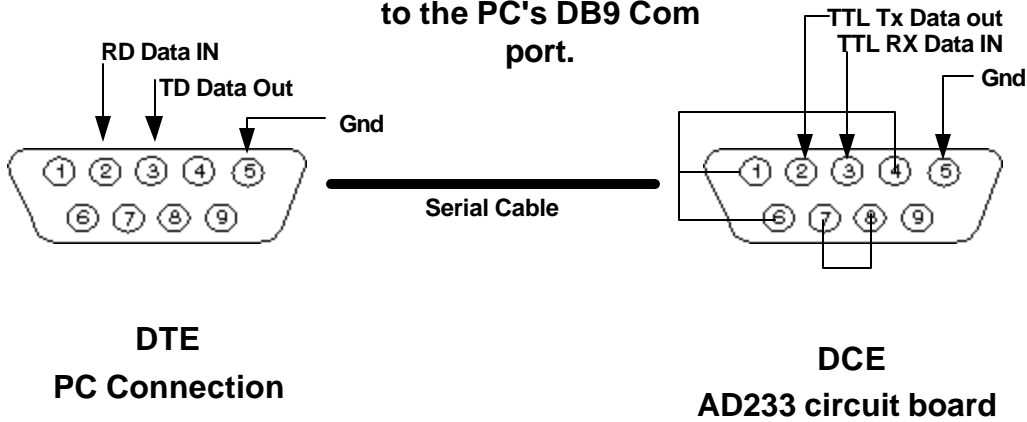
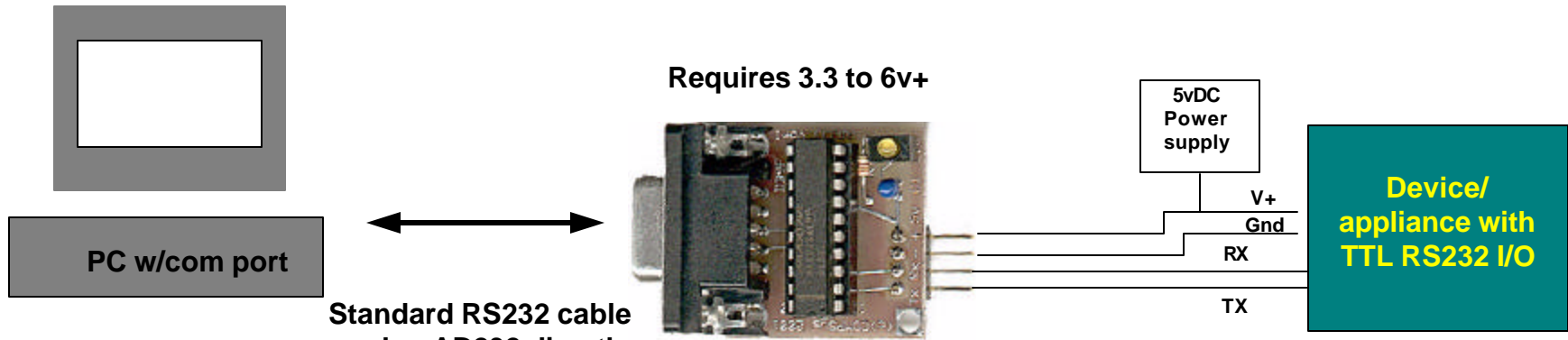


# General Setup for using the AD233/AD232



Since no hardware handshaking is involved the RTS and CTS lines are connected to each other (Pins 7,8) as well as the DTR, DSR and CD lines (Pins 4,6,1)

