

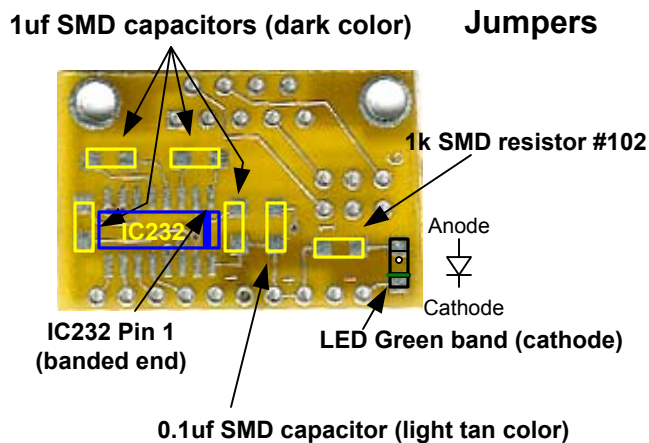
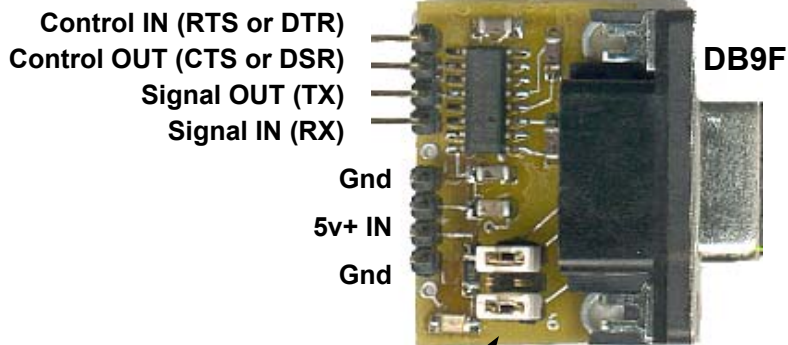
A232C RS232 adapter

A232C-5 5volt version (Max232 or equiv) A232C-3 3volt version (Max3232 or equiv)

A compact RS232 adapter with user configurable handshake lines. Can be used as a null modem or with user selectable CTS/RTS or DSR/DTR handshaking.

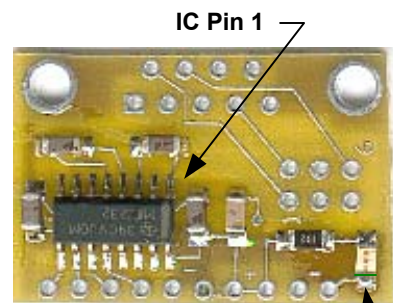
PARTS

- 4 - 1uf SMD capacitors, 1uf is dark color (1uf for Max232 or 0.1uf for Max3232)
- 1 - 0.1 uf SMD capacitor, light tan color
- 1 - LED SMD
- 1 - 1K SMD resistor
- 1- DB9 female connector
- 1- Printed circuit board
- Misc: Header pins and jumpers



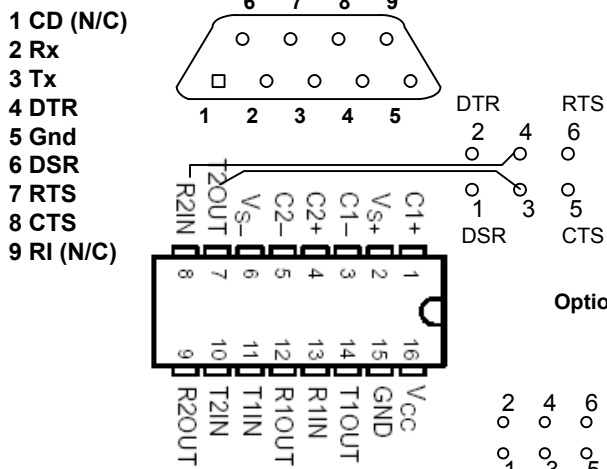
Assembly
 Note: Use a fine point 15-20w soldering iron and use solder sparingly, only when needed.

- (1) Carefully orient and solder the IC232. Pin 1 is at the banded end
- (2) Mount the 5 capacitors and 1 resistor
- (3) Orient and mount the LED with the cathode (green band) facing the edge of the pcb
- (4) Mount the header pins and the DB9 female connector

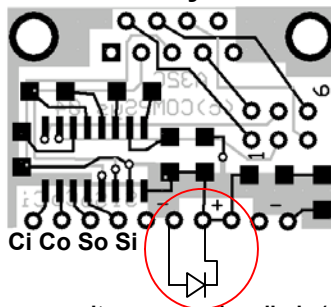


Shown with IC, capacitors, resistor and LED mounted
 Note: LED cathode is the green banded end and is towards the edge of the pcb.

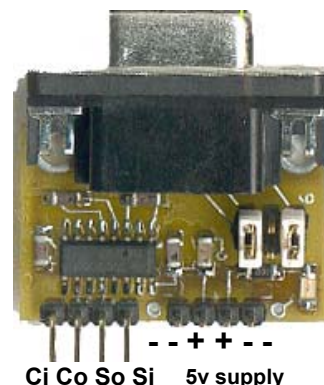
DB9 pins as seen on the pcb



PCB layout



Optional, reverse voltage protection diode (1N4001)



DO NOT REVERSE POLARITY!

Jumper Selections

- 2 4 6 Null modem 1-2 and 5-6 (no handshake)
- 0 0 0 CTS/RTS handshake 3-5 and 4-6
- 1 3 5 DTR/DSR handshake 1-3 and 2-4

Ci = Control IN from PC (DTR or RTS)
 Co=Control OUT from TTL device to PC, (CTS or DSR)

Si = Signal IN from PC to TLL device
 So= Signal OUT from TTL device to PC

Disclaimer and Terms of Agreement

As with any kit, only the individual parts supplied are guaranteed against defects and not the user assembled unit. All kit parts are purchased from reputable sources such as Digikey Inc, Allied Electronics and Mouser Inc, however, should a kit part be ascertained to be defective it will be replaced at no charge within 30 (thirty) days of the purchase date. Beyond that, COMPSys Workbench and / or the COMPSys developer(s) assume no liability and WILL NOT be held liable nor be held responsible wholly or in part for any damages caused by the construction of and / or use of their products sold .