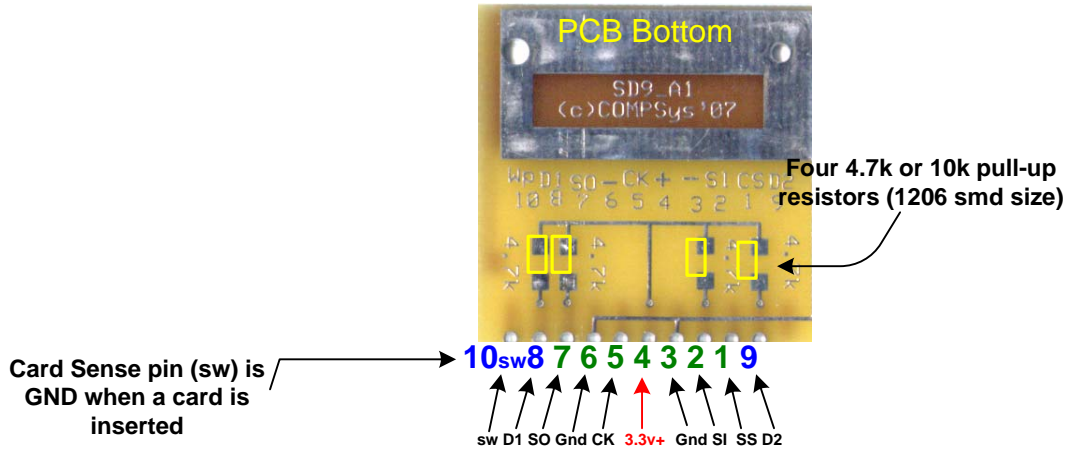


SD9 Connector

SD and MMC cards are low voltage 3.3v devices.

SPI Mode Pin Configuration



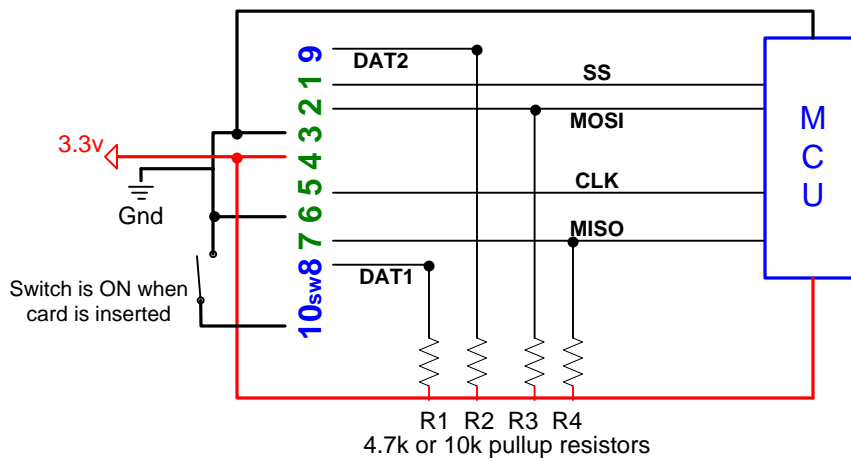
NOTE: Pins 8 and 9 (DAT1 and DAT2) are not used but have pull-up resistors installed

Pins

9 1 2 3 4 5 6 7 8 10sw
Dat2 SS SI Gnd V+ CK Gnd SO Dat1 Sw (card sense switch)

SPI Connections

- Pin 1 SS (Select)
- Pin 2 SI (MOSI)
- Pin 5 CK (Clock)
- Pin 7 SO (MISO)



Typical connections