

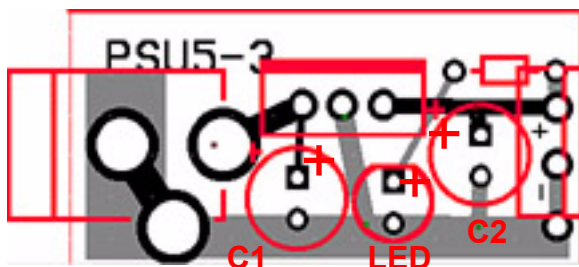
# MINI POWER SUPPLIES



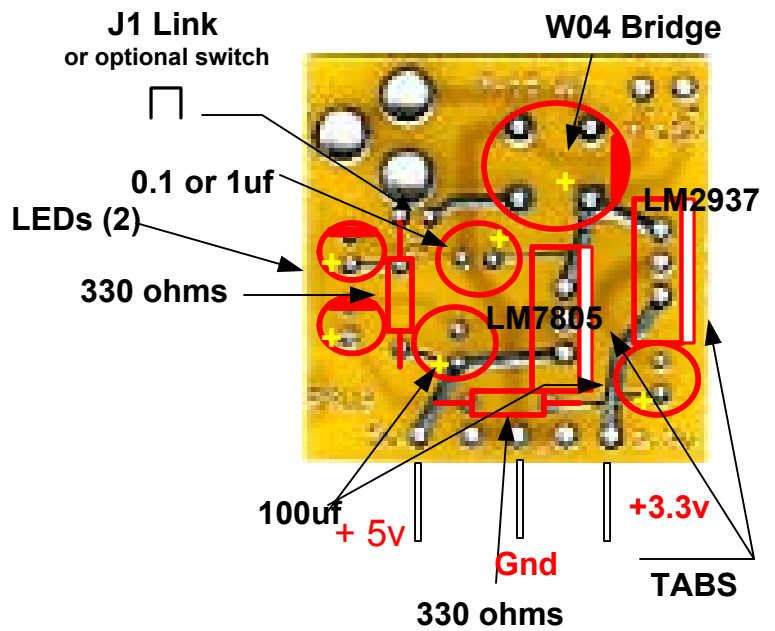
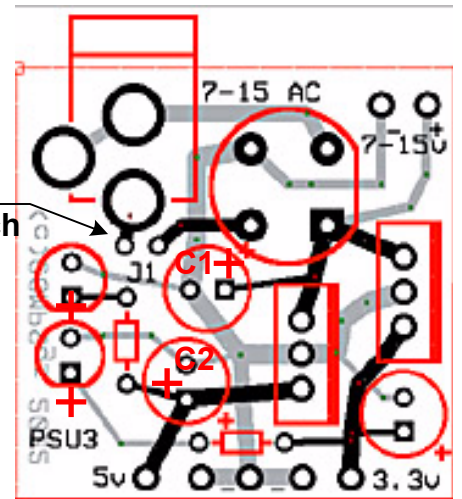
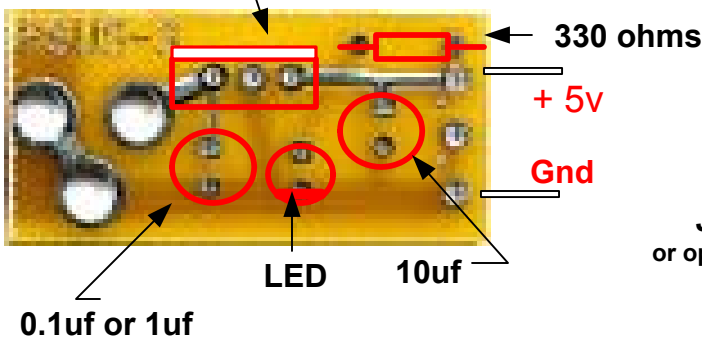
PSU5 5 volts



PSU35 3.3v & 5v



LM7805 TAB



**OBSERVE CORRECT ORIENTATION AND POLARITY**

- Capacitors and LEDs
- Long leads are positive
- Square pads on pcb are positive