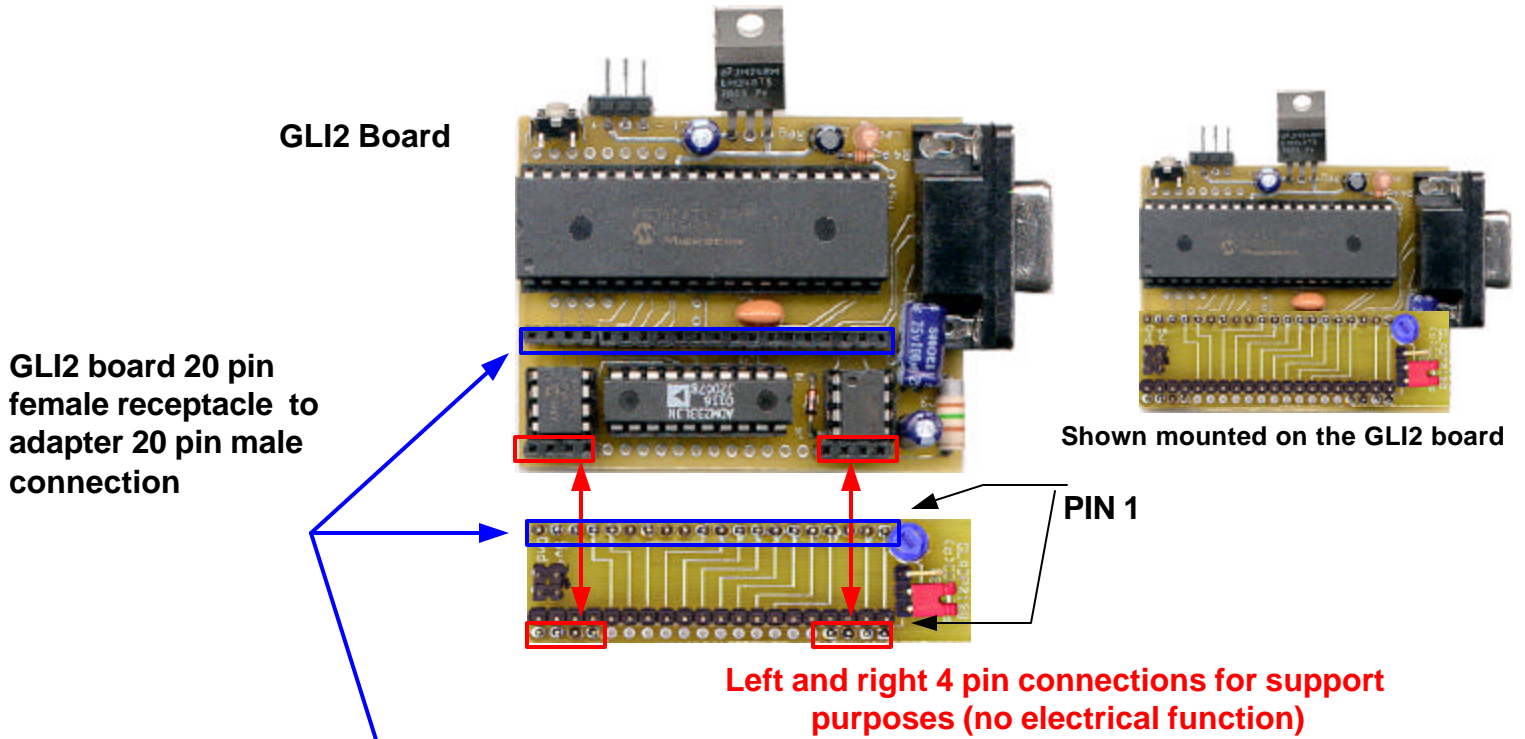


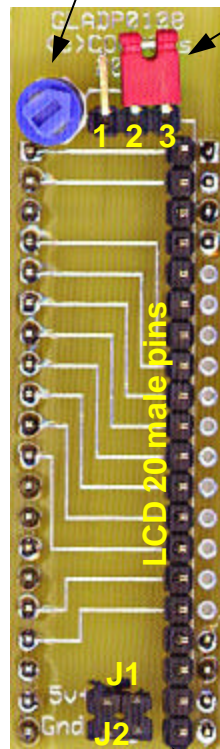
GLADP0108 adapter for the GLI2 board



GLI2 Pin outs

- 1 Gnd
- 2 5v+
- 3 -15v Vee
- 4 D0
- 5 D1
- 6 D2
- 7 D3
- 8 D4
- 9 D5
- 10 D6
- 11 D7
- 12 C0
- 13 C1
- 14 C2
- 15 C5
- 16 E2
- 17 E1
- 18 E0
- 19 5v+
- 20 Gnd

20 male pins pointing downward



Negative voltage (Vee) supply jumper settings

- 1-2 GLI2 supplies Vee
- 2-3 LCD has on-board Vee at PIN 18

LCD Pin outs

- 1 Gnd
- 2 5v+
- 3 Vo
- 4 D/I
- 5 R/W
- 6 E
- 7 D0
- 8 D1
- 9 D2
- 10 D3
- 11 D4
- 12 D5
- 13 D6
- 14 D7
- 15 CS1
- 16 CS2
- 17 RST
- 18 Vee
- 19 BL +
- 20 BL -

Jumpers at J1 and J2 will supply 5v to LCD pins 19 (5v) and 20 (Gnd)*

*Some LCD LED backlights can draw considerable power (over 200ma) and can over heat the GLI2 power regulator therefore the a heat sink will be required for the regulator. A better method would be to provide a separate power supply for the backlight.