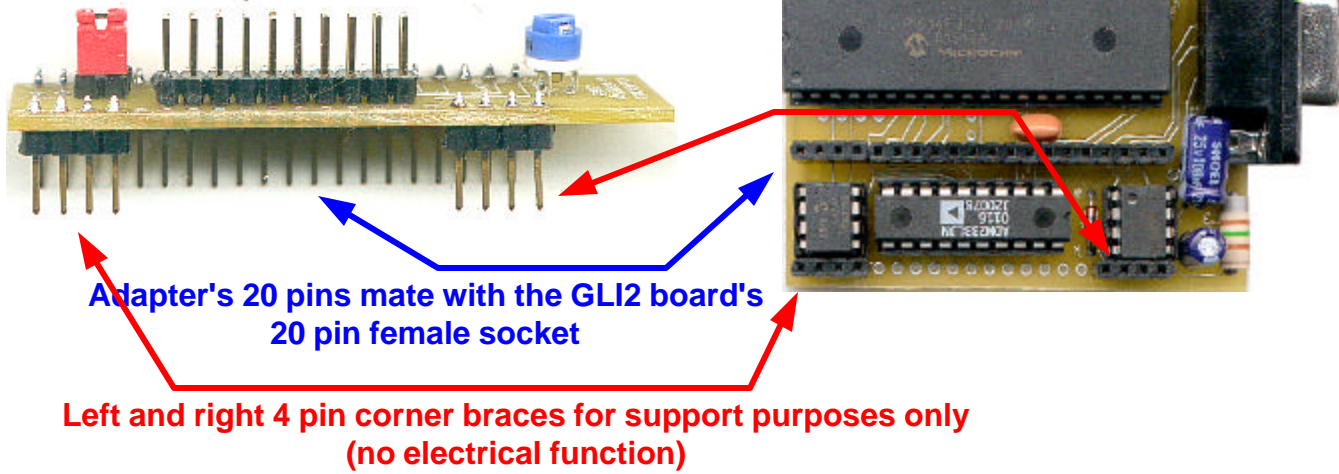


GLADP6963 Adapter for the GLI2 board

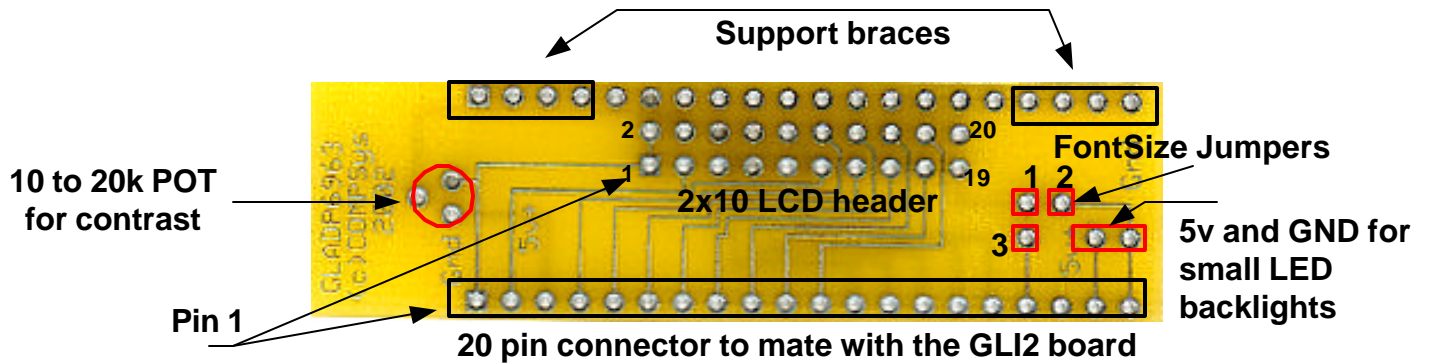
GLI2 Development board

Assembled adapter (viewed from the back)



Adapter's 20 pins mate with the GLI2 board's 20 pin female socket

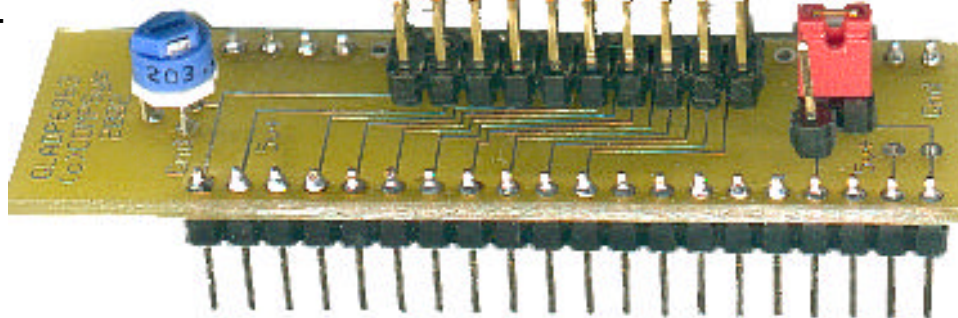
Left and right 4 pin corner braces for support purposes only (no electrical function)



T6963C 2x10 Pinouts

Gnd	1	2	GND
5v	3	4	Vee
WR	5	6	RD
CE	7	8	CD
N/C	9	10	RST
DB0	11	12	DB1
DB2	13	14	DB3
DB4	15	16	DB5
DB6	17	18	DB7
FS	19	20	N/C

FS selector*
1-2 Graphic mode (8x8 font cell)
1-3 Small font cell (6x8)



- 1 Gnd
- 2 5v+
- 3 -15v Vee
- 4 D0
- 5 D1
- 6 D2
- 7 D3
- 8 D4
- 9 D5
- 10 D6
- 11 D7
- 12 C0
- 13 C1
- 14 C2
- 15 C5
- 16 E2
- 17 E1
- 18 E0
- 19 5v+
- 20 Gnd

GLI2 board Pinouts

*The actual size of the font does not change only the font cell width, this means that in graphic mode (8x8 cell) the characters have more space in-between than in the 6x8 cell mode