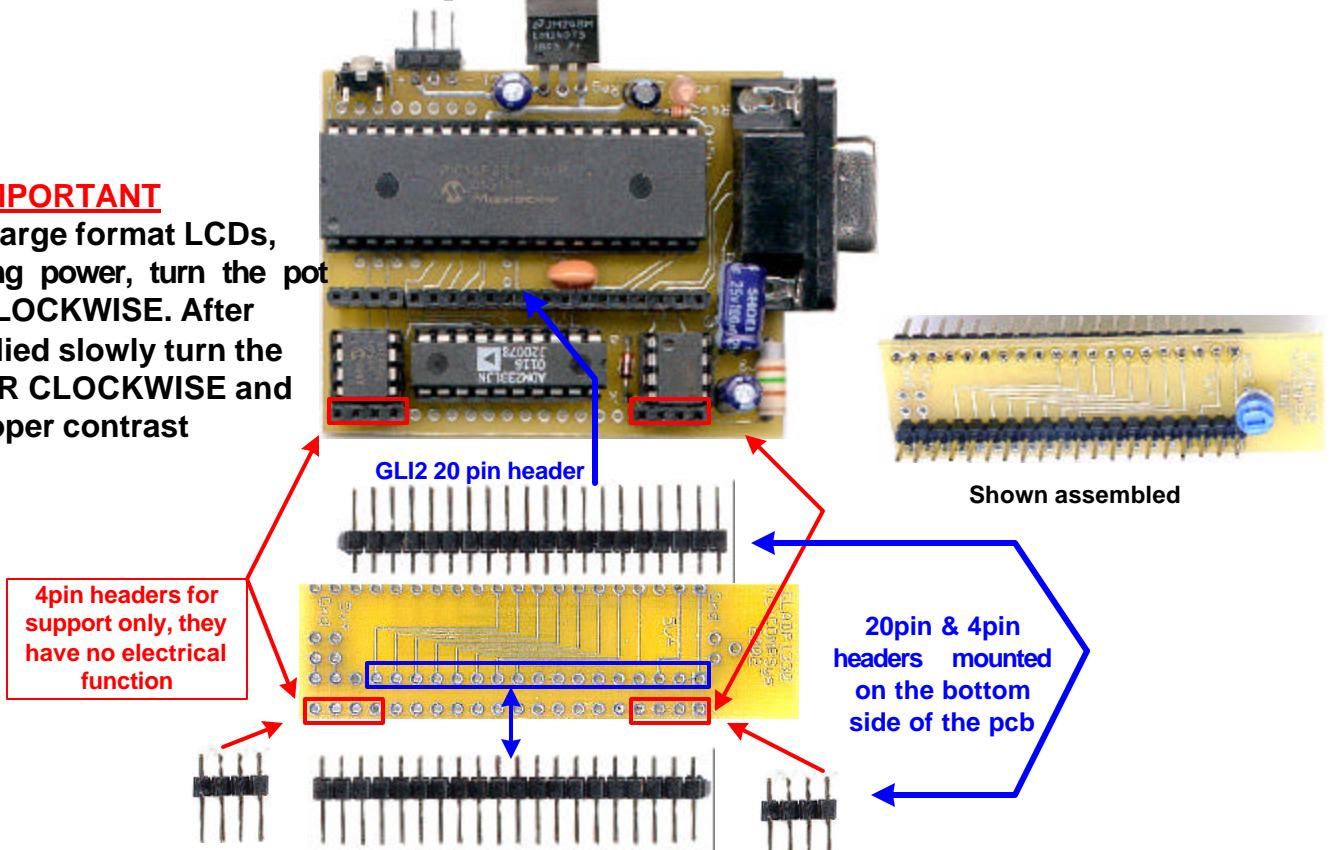


GLADP1330 adapter for the GLI2 board

IMPORTANT

When using large format LCDs, before applying power, turn the pot all the way **CLOCKWISE**. After power is applied slowly turn the pot **COUNTER CLOCKWISE** and adjust for proper contrast



NOTE: The LCD is provided with a 17 pin male header, it may be connected directly to the ADP1330 board or it can be used with a ribbon cable and female headers.

20 pin LCD Header (only 1-17 are used with the Hyundai 256x128 LCD display . OPTIONAL. Required only if a cable with female headers is used to connect with the LCD.

