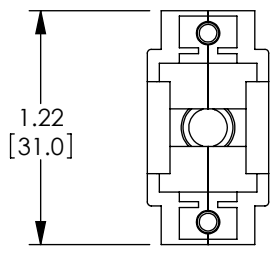
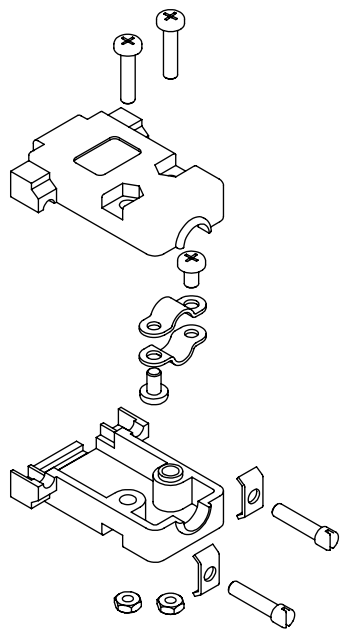
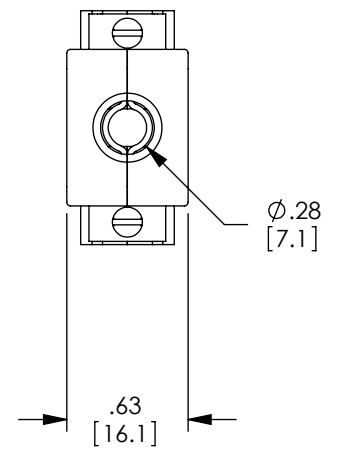
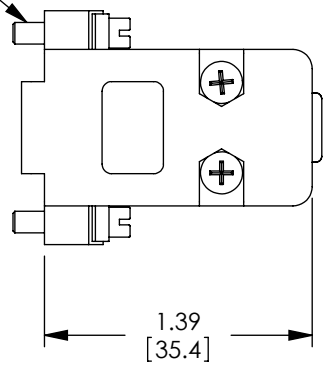


THE INFORMATION CONTAINED IN THIS DRAWING IS THE SOLE PROPERTY OF L-COM, INC. ANY REPRODUCTION IN PART OR WHOLE WITHOUT THE WRITTEN PERMISSION OF L-COM, INC. IS PROHIBITED.

REVISIONS			
REV	DESCRIPTION	DATE	APPROVED
A	RELEASED FOR PRODUCTION BY S.SMITH	2/19/02	DFP
A	ECN 99999: RE-DRAWN AND NEW FORMAT	6/12/09	D.FRISIELLO



2X 4-40 UNC-2A SCREW



NOTES:

- HOOD: FLAME RETARDANT PLASTIC WITH METALIZED CHROME PLATING.
- HARDWARE PROVIDED: MALE GENDER TERMINATION.
- ALL HARDWARE SHOWN PROVIDED WITH CONNECTOR KIT.

UNLESS OTHERWISE SPECIFIED, DIMENSIONS ARE IN INCHES [mm] OVERALL CABLE LENGTH TOLERANCE: ≤12 [305] = +1 [25] / -0 >12 [305] ≤60 [1524] = +2 [51] / -0 >60 [1524] ≤120 [3048] = +4 [102] / -0 >120 [3048] ≤300 [7620] = +6 [152] / -0 >300 [7620] = +3% / -0% ALL OTHER DIMENSIONAL TOLERANCES: .X = ±.2 .XX = ±.02 .XXX = ±.005	APPROVALS DRAWN BY D.FRISIELLO CHECKED BY D.PARHAM APPROVED BY S.SMITH	DATE 6/12/09 6/12/09 6/12/09	45 BEECHWOOD DRIVE NORTH ANDOVER, MA 01845		
	CONFIGURATION DETAILS OF UNDIMENSIONED FEATURES MAY VARY	CATEGORY DATA CABLING			
PROJECTION 	COLOR VARIATIONS MAY OCCUR	SIZE <b>A</b>	FSCM NO. <b>43321</b>	DWG. NO. <b>SDC9M</b>	REV. <b>A</b>
SCALE: NONE		CAD FILE: SDC9M.SLDDRW		SHEET 1 OF 1	