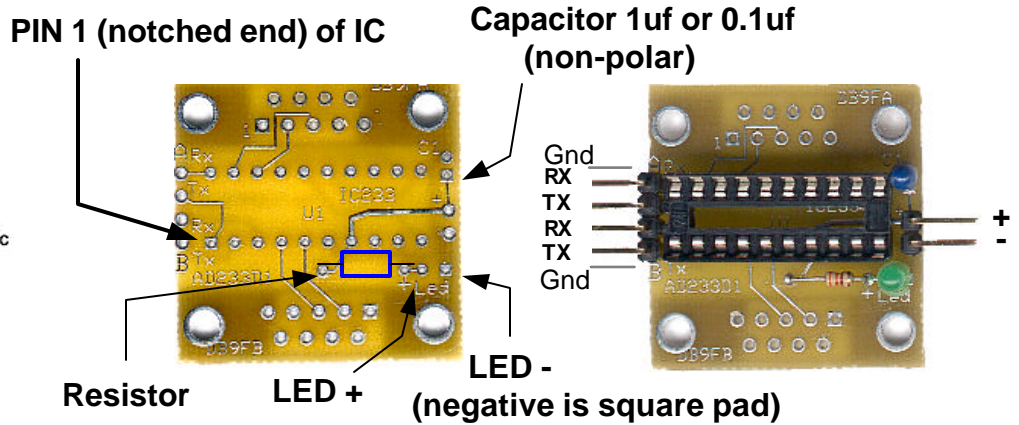
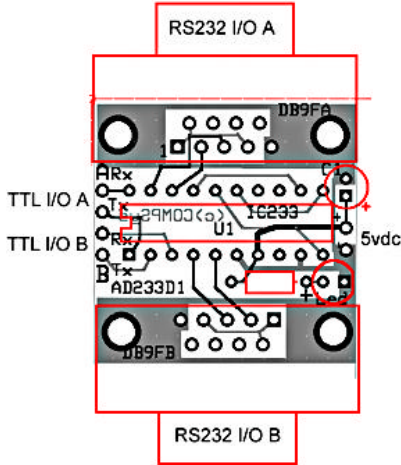
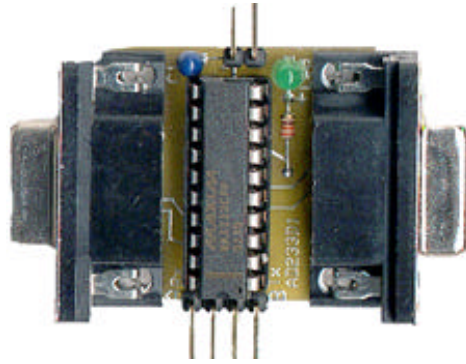
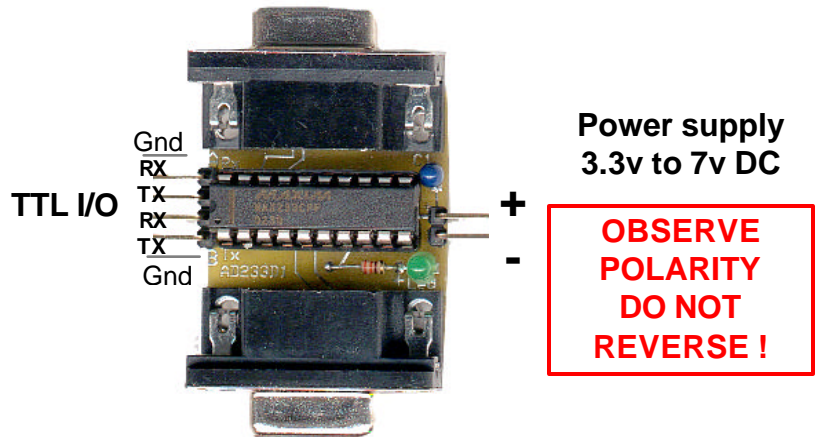


AD233Dual Ver 1



RS232 Connection A



RS232 Connection B

LIST OF PARTS

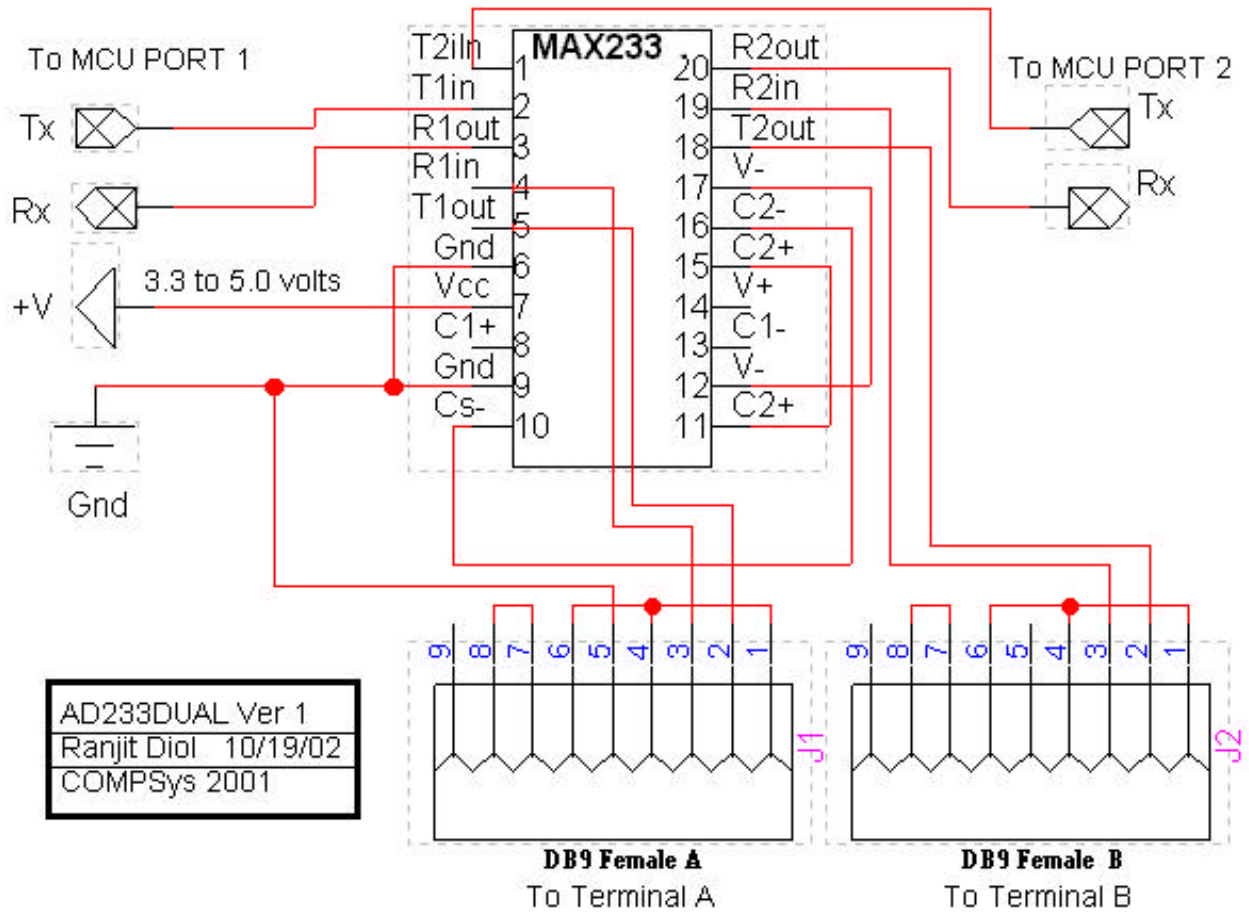
- U1 Max233 or Equiv
- Qty 2 DB9 female rt angle connector
- 0.1uf of 1uf capacitor
- 330 ohm resistor
- LED
- 4 pin header
- 20 pin IC socket
- PCB

Disclaimer and Terms of Agreement

As with any kit, only the individual parts supplied are guaranteed against defects and not the user assembled unit. All kit parts are purchased from reputable sources such as Digikey Inc, Allied Electronics and Mouser Inc, however, should a kit part be ascertained to be defective it will be replaced at no charge within 30 (thirty) days of the purchase date. Beyond that, COMPSys Workbench and / or the COMPSys developer(s) assume no liability and WILL NOT be held liable nor be held responsible wholly or in part for any damages caused by the construction of and / or use of their products sold .

RS232 Using a Max233

U1



AD233DUAL Ver 1
 Ranjit Diol 10/19/02
 COMPSys 2001