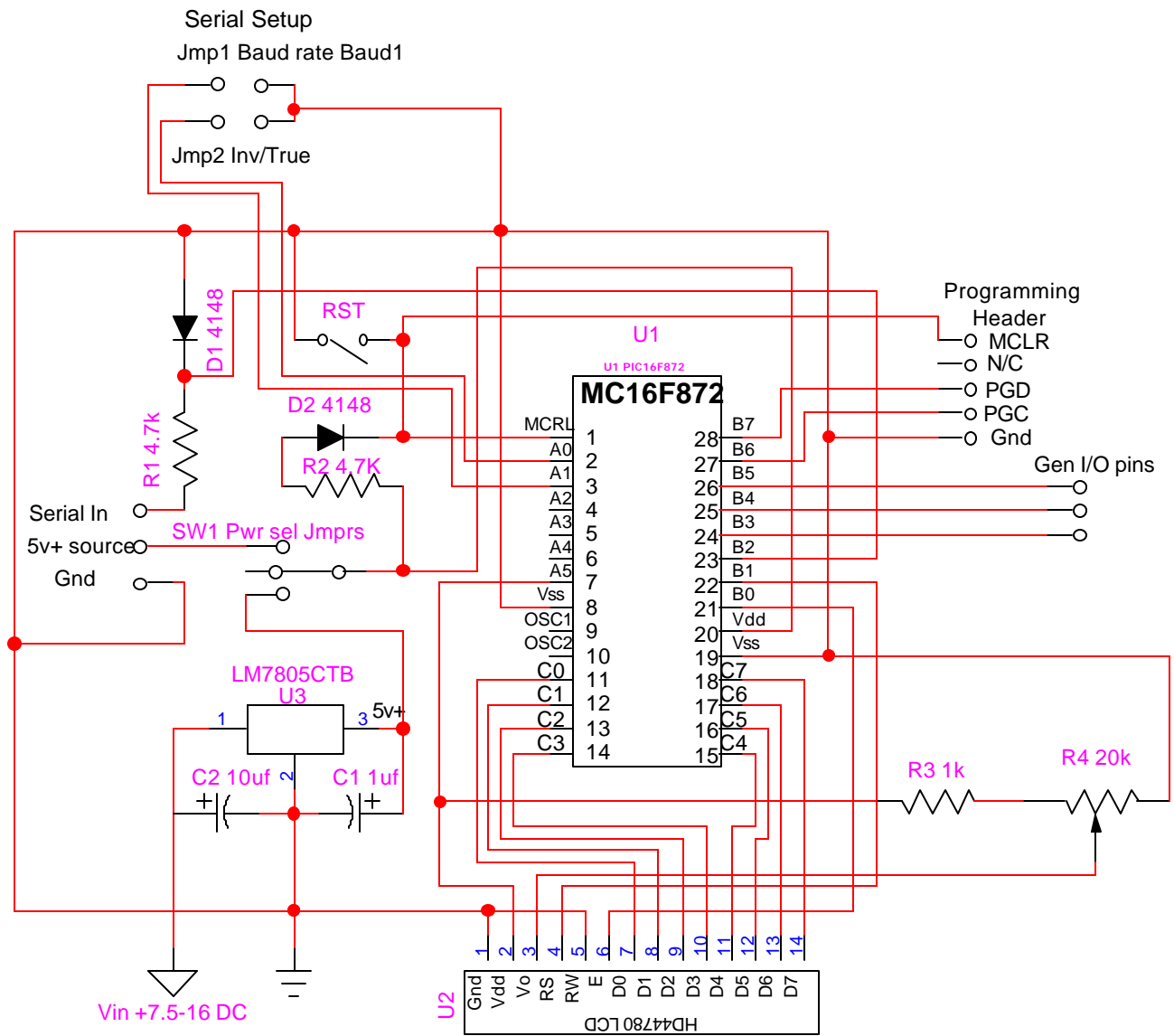


Serial LCD Adapter CLADP1 Ver 1.0



CLADP1 Ver 1.0
Serial LCD board
Ranjit Diol
(c)COMPSys 2003